



Industrial service full-size, floor-mounted, fully-enclosed Class 1 laser marking workstation. Includes programmable z-axis motion control, side sliding part loading door with large access opening and side-mounted service door. Control components mounted in self-contained housing with one-plug operation. Heavy duty T-slotted work base provides a flexible system for fixture mounting and tooling changes.

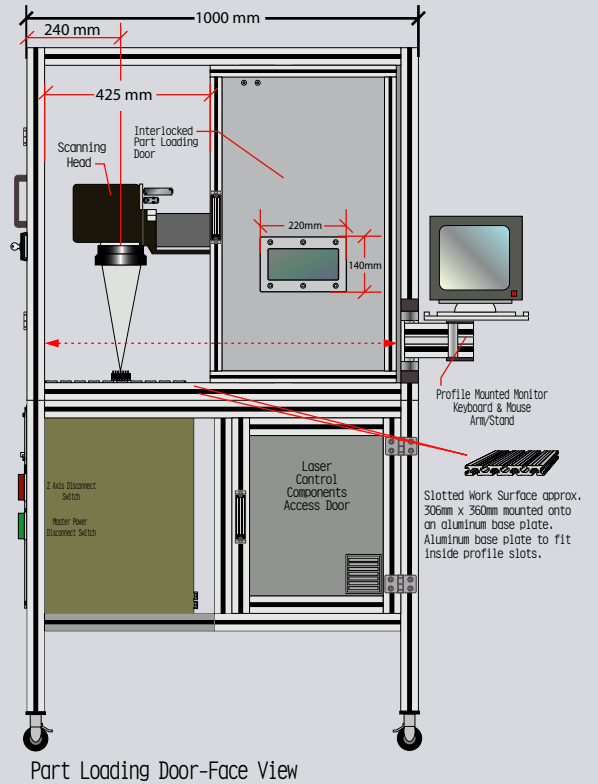
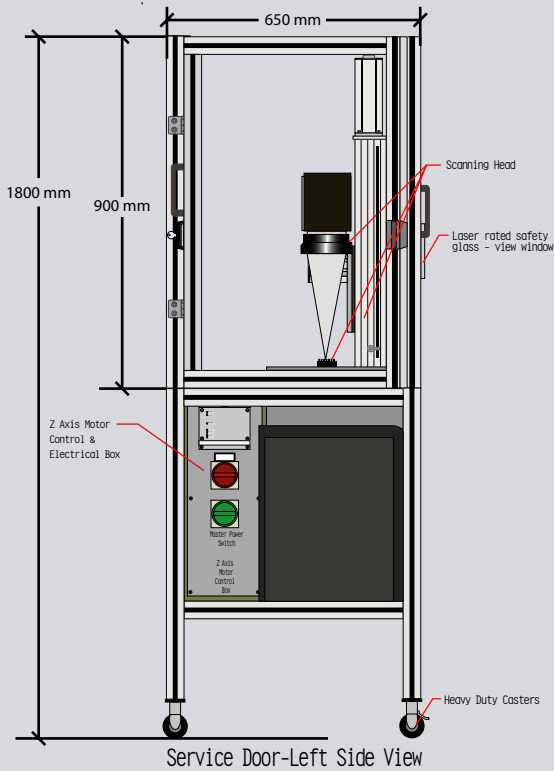
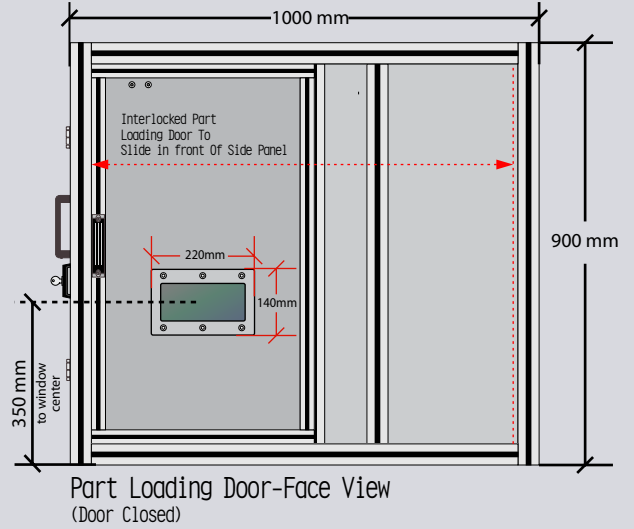
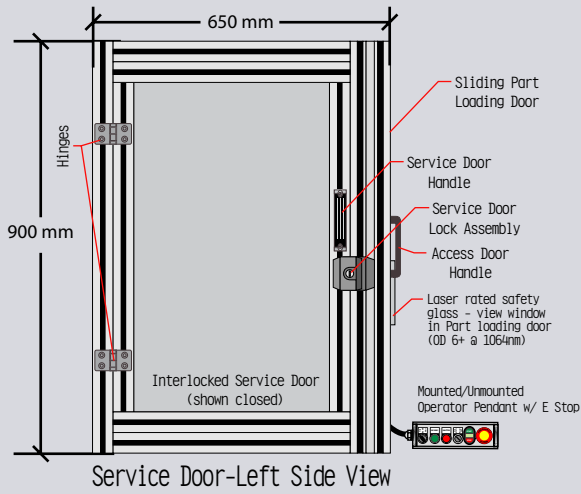
Features

- **Lasonall 3 laser system**
Nd:YAG diode-pumped laser marking system
- **Full-size laser workstation**
Class 1 enclosure measuring 1000 x 900 x 650 mm
- **Automatic z-axis**
Fully automatic and programmable sliding z-axis
- **Auto starting part loading door**
Full-size door can begin marking when closed
- **Operator control pendant**
With keylock, shutter control, start, and emergency stop
- **140 x 220mm Operator safety viewing window**
Allows easy and safe viewing of marking process
- **Safety interlocking**
Integrated operator safety interlocking
- **Standard 160mm lens**
Optional 100mm and 254mm lenses are available
- **Full-size service door**
Allows full service of laser; key locked
- **T-slotted work surface**
Provides for easy fixturing for parts
- **Single-plug power supply**
One 115V plug powers the entire unit
- **Floor-standing legs**
Come with lockable caster wheels for easy moving
- **Enclosed control components**
Keeps components out of the way and safe
- **Creator Pro IV graphics software**
Easy graphics handling and VBScript customization
- **Operation and safety manuals**
Printed and electronic documentation is sent with laser

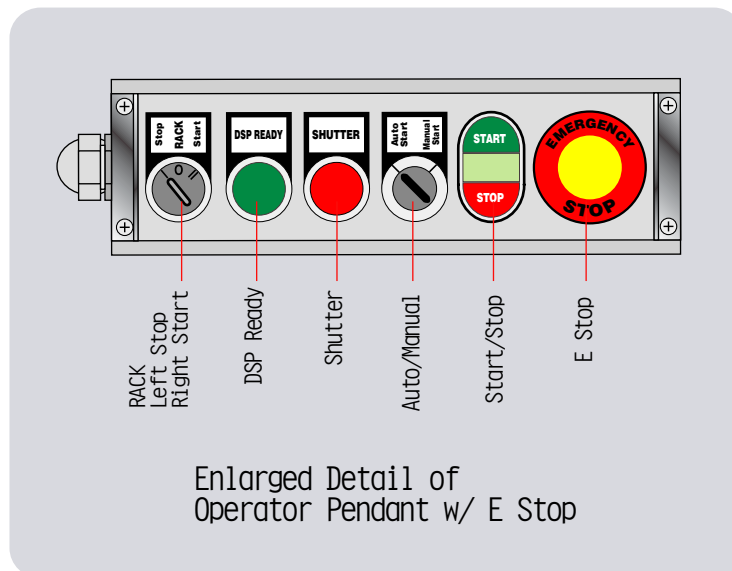
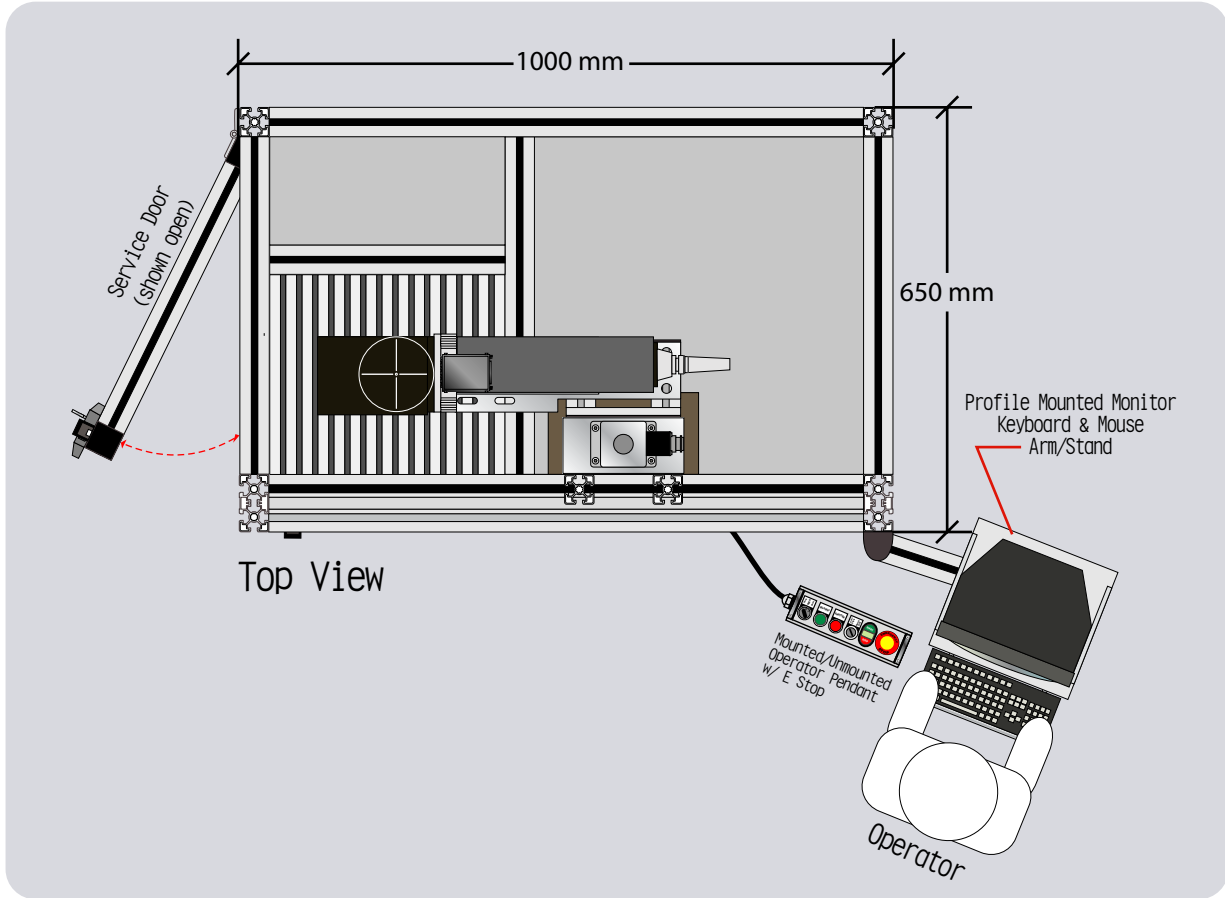
Options

- Side-mounted computer console
- Aer-Pro cleaning system
- Startup kit
- Automatic door
- Custom part fixturing
- 100mm and 254mm lenses
- Rotary axis
- X/Y tables

Workstation Configuration



Workstation Configuration



Laser System Technical Specifications

Laser Model	Lasonall 3
Laser Medium	Nd:YVO ₄
Wavelength	1064 nm
Nominal Power	20W ± 5%
Mode / Beam Quality	M ² < 2
Frequency	TTL 20kHz to 300kHz
Laser Pumping Source	Diode Laser
Expected Lifetime	8000+ hours
Aiming Beam	Red Laser Diode
Aiming Beam Wavelength	635 nm Class IIIA
Marking Head	Scanlab SCANgine10
Objectives (Flat Field)	100 mm / 160 mm / 254 mm
Scanning Length (Focal Distance) / 2y	87 mm / 140 mm / 222 mm
Marking Area (mm x mm)	50 x 50 / 110 x 110 / 180 x 180
Minimum Spot Diameter (in microns)	20 / 30 / 40
Power Supply	115V / 230V AC
Rack Dimensions (in mm)	500 x 180 x 450
Resonator / Scanning Head Dimensions (in mm)	615 x 120 x 175
Rack Weight	75 lbs (34 kg)
Laser Weight	18.3 lbs (8.7 kg)
System Weight (does not include cabinet weight)	93.3 lbs (42.7 kg)
Working Laser Class	Class IV
Aiming Beam Laser Class	Class IIIA
System Laser Class	Class I
IEC Conformance Reference	EN 60825
FDA Accession Number	0221599

